

PE5-1.5-C-WE

Harbach Positioning Positioner Model PE5-1.5C-WE Series is designed to give maximum positioning flexibility by using the tilt and rotation of the table to manipulate the work piece into the correct 'down hand' position for welding or to position accurately for assembly and manufacturing requirements. The table is machined with four radial slots for anchor bolts and centric marking on the surface table, a set of tapered bearing mounted below the table to give a smooth and constant turning during operation. AC motor driven, and controlled by an AC inverter system. A variable speed controlled by a standard control pendant with low voltage push button and potentiometer with a 6-meter control cable built in. Tilt movement is electrically powered driven by 3 KW AC motor with dynamic braking through reducer gearbox. Built in with 800amps rotary clamp to ensure good earthing to the welding power source.

Table diameter 1500mm.



Specifications

Model: PE5-1.5C-WE

Pendant Control: 24VAC circuit, push button with 6 meter cable

Input voltage: 380-415V/3phase/50-60Hz (specify voltage requirement when ordering)

Rotation Capacity: 5 metric tons at 300mm

Rotation Speed: 0.08 to 0.8 rpm

Tilting Capacity: 5 metric tons at 300mm c of g

Tilt Range: 0 to 135 Degrees

Tilt Speed: 135 degrees in 113 seconds

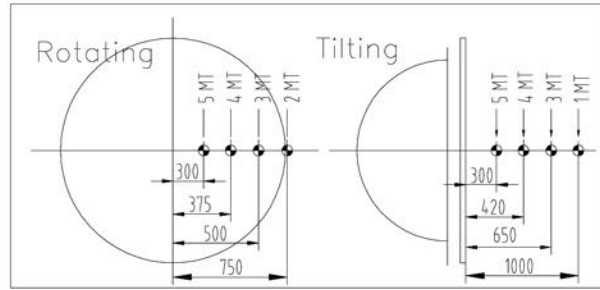
Rotation Drive Motor: 1 x 3 KW motor

Tilt Drive Motor: 1 x 3KW motor c/w brake

Estimate weight: 3100kg

PE5-1.5-C-WE (5 Tonne)

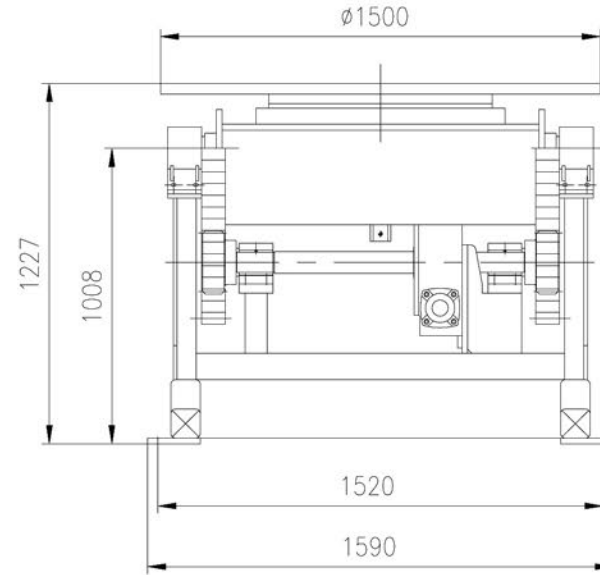
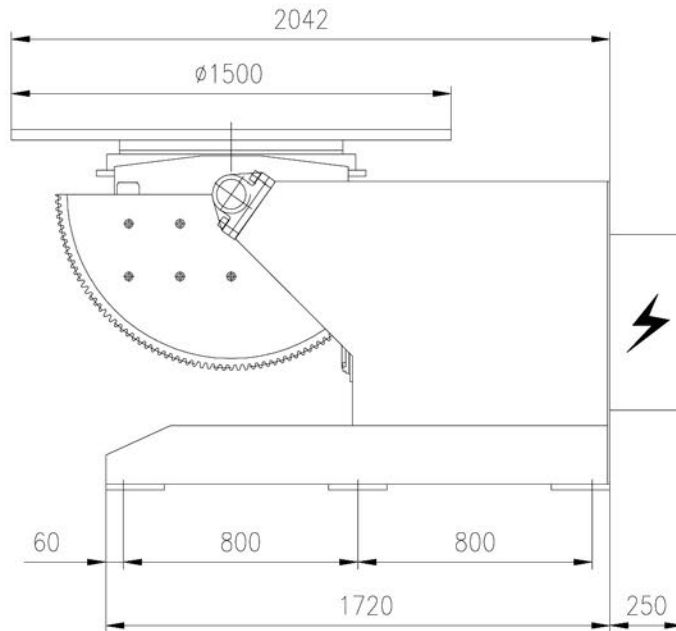
LOAD CHART



1	Model	PE5-1.5C-WE
2	Capacity (Turning)	5 MT at 300mm
3	Capacity (Tilting)	5 MT at 300mm
4	Tilt Range	0°-135°
5	Rotation Speed	0.08-0.8rpm running at 5-50Hz
6	Tilt Speed	135 in 113 sec
7	Power Supply	380/400/415V-3P-50Hz or 440/460/480V-3P-60Hz
8	Control Voltage	24VAC
9	Control Means	Via push button pendant c/w 6m cable
10	Rotation Drive motor	1x2.2kw motor c/w Force Cooling
11	Tilt Drive motor	1x3kw motor c/w with Brake
12	Electrical Panel	Yes
13	Earthing	800A
14	Surface Preparation	Gritblast to SA2.5
15	Painting	Lead free, 2 coats Zinc Phosphate, 1 coat of Polyurethane
16	Color	RAL 2011 Orange
17	Qty	1 unit

Note:

1. Input terminals are wired for 415V by default.
2. This drawing is accurate at the time of preparation and maybe subjected to final design changes.



ALL DIMENSIONS IN MM, UNLESS OTHERWISE SPECIFIED.



CUSTOMER APPROVAL:

DATE:

CHECKED BY:

DATE:

DRAWN BY: IC

DATE: 28-01-2011

REV / DATE	DESCRIPTION	EDIT BY	REMARKS
CUSTOMER:			
DRAWING NAME:	Positioner 5MT		
DRAWING NO.:	PE5-1.5C-WE		
THE ORIGINAL AND ALL COPIES OF THIS DOCUMENT TOGETHER WITH THE COPYRIGHT THEREOF ARE THE SOLE PROPERTY OF HARBACH MARKETING, INC. DESIGN AND SPECIFICATIONS ARE SUBJECT TO CHANGE WITHOUT PRIOR NOTICE.			SCALE: N.T.S.
			REV: 0
			SHEET: 1 OF 1