

LPP3-S-WD

Harbach Positioning rotators are a robust heavy duty design built to withstand the harsh and rugged environments expected in the world of welding and fabrication requirements. Our proven design uses 1 off 254mm diameter 76mm width replaceable hard-wearing polyurethane tires mounted onto a cast steel drum for maximum durability and superior traction.

The powered drive unit drives all wheels synchronized using the AC gear motors via the latest inverter control. A hand held low voltage control pendant on a 3-meter cable provides the operator with full control of the rotator including a potentiometer for varying the speed, forward/reverse and stop.

All **Harbach Positioning** rotators are grit blasted to SA 2.5 for all structural steel and polyurethane paint work ensuring that your investment provides you with many years of reliable, trouble-free use.

The idler roll has the same dimensions to match the powered drive unit. See GA drawing attached.

Power rolls specifications

Model: LPP3-S-WD

Load Capacity: 3 metric ton (1 power & 1 idler)

Rotation Capacity: 3 metric ton (1 power)

Rotation Speed: 0 to 4000mm/min

Vessel diameter: Min 270mm to Max 990m (at 620mm C-C) @ 60 degree included angle

Incoming supply: 220V/1 Phase/50/hz (specify input voltage when ordering)

AC Inverter: 0.5KW

Motor rating: 1 x 0.5KW DC motors

Control voltage: 24V low voltage control

Weight: 92Kg Drive
54Kg Idler

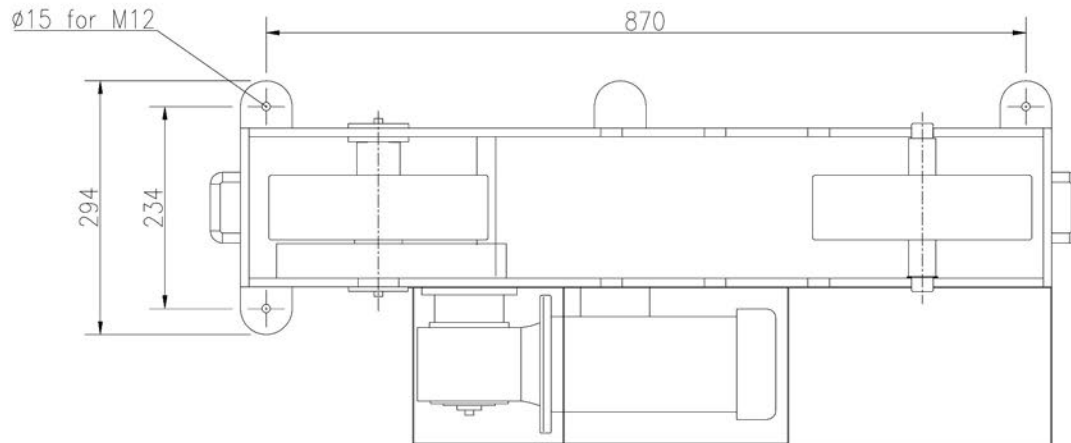
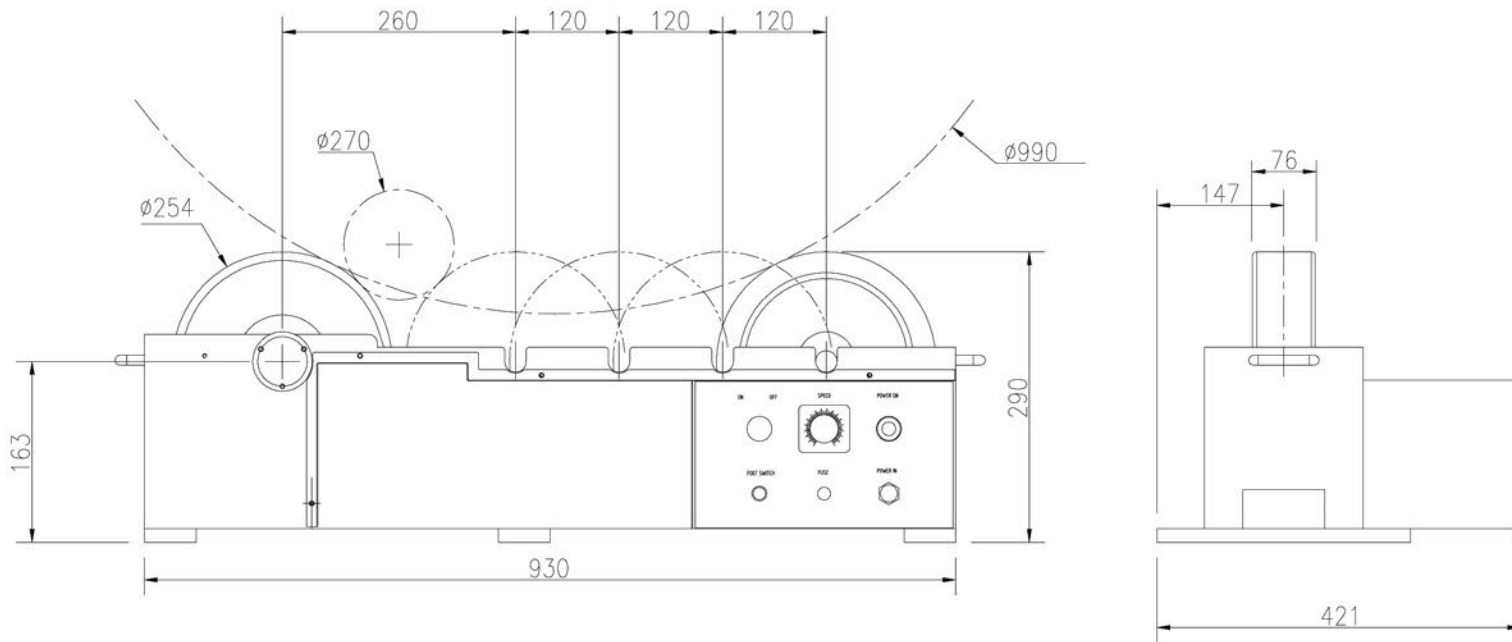


LPP3-S-WD (3 Tonne)

Specifications for Rotator

1	Model	LPP3-S-WD
2	Loading Capacity	1.5 TON
3	Turning Capacity	3 TON
4	Vessel Size Min.	Ø270mm at 60° Included Angle, C-C 260mm
5	Vessel Size Max.	Ø990mm at 60° Included Angle, C-C 620mm
6	Tyre Type & Size	polyurethane, 254mm x 76mm
7	Roller Speed	0 to 4000mm /min at 5 to 50Hz
8	Roller Drive Motor	0.5KW c/w force Cooling
9	Roller Drive Control	0.5KW DC
10	Electrical Panel	Yes
11	Incoming Supply	220V-1P-50HZ
12	Control Voltage	24VDC
13	Control Means	Via footswitch c/w 3m cable
14	Surface Preparation	Gritblast to SA2.5
15	Painting	Powder Coating
16	Colour	RAL3003 Red & RAL9005 Black for tyre drum
17	Qty	1 unit
18	Weight	92kg
19	Shipping dimension	1000mm(L)X430mm(W)X400mm(H)

Notes:
1) This drawing is accurate at time of preparation and may be subjected to final design.



All dimensions in mm unless otherwise specified.



CUSTOMER APPROVAL

CHECKED BY:

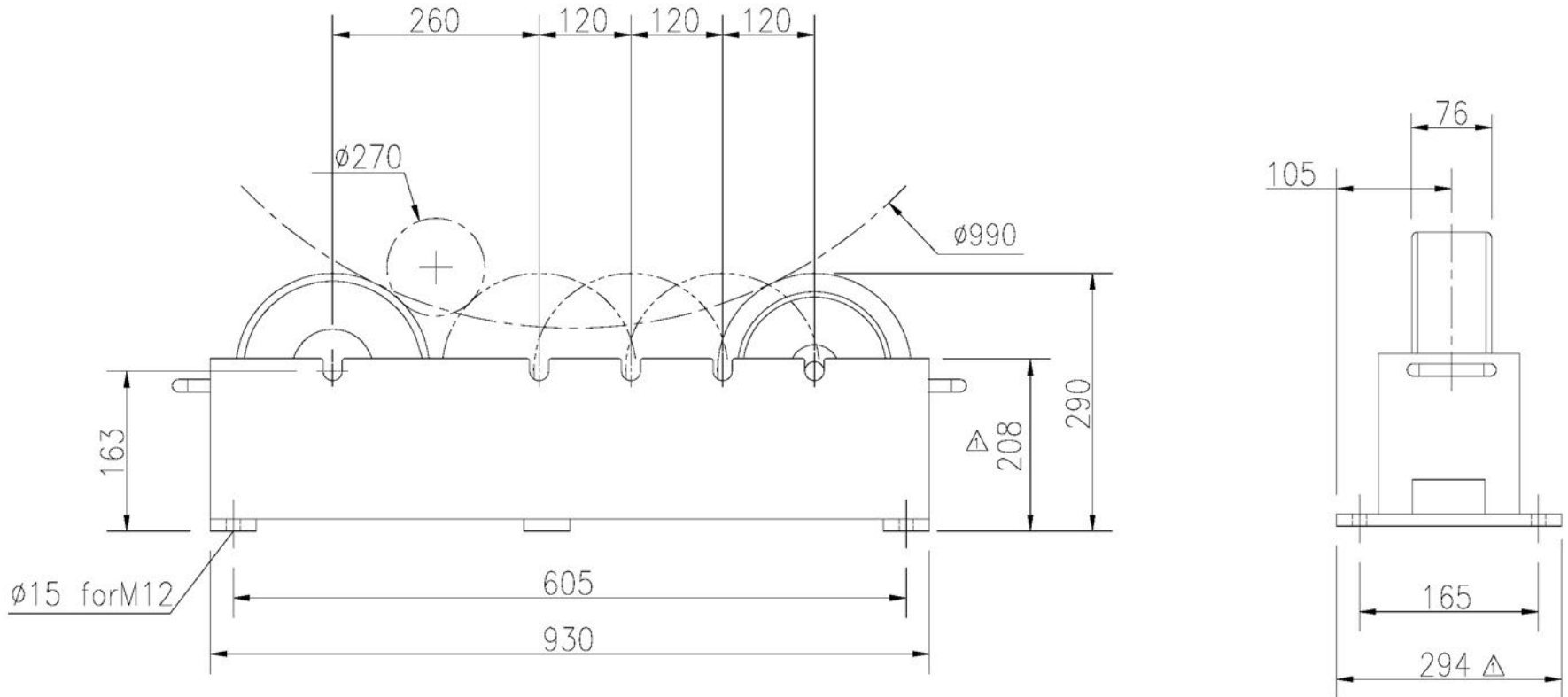
DRAWN BY: IC

REV	DATE	DESCRIPTION	EDIT BY	REMARKS	SCALE: N.T.S.
CUSTOMER:					
DRAWING NAME:		Rotator 3MT power unit			REVISION
DRAWING NO.:		LPP3-S-WD			0
THE ORIGINAL AND ALL COPIES OF THIS DOCUMENT TOGETHER WITH THE COPYRIGHT THEREOF ARE THE SOLE PROPERTY OF HARBACH MARKETING, INC. DESIGN AND SPECIFICATIONS ARE SUBJECT TO CHANGE WITHOUT PRIOR NOTICE.					SHEET: 1 OF 1

11-08-2011

Specifications for Rotator

1	Model	LIP3
2	Loading Capacity	1.5 TON
3	Turning Capacity	NA
4	Vessel Size Min.	Ø270mm at 60° Included Angle, C-C 260mm
5	Vessel Size Max.	Ø990mm at 60° Included Angle, C-C 960mm
6	Tyre Type & Size	polyurethane, 254mm x 76mm
7	Surface Preparation	Gritblast to SA2.5
8	Painting	Powder Coating
9	Colour	RAL3003 Red & RAL9005 Black for tyre drum only
10	Qty	1 unit
11	Weight	54kg
12	Shipping dimension	940mm(L)X300mm(B)X340mm(H)



Note:

1] This drawing is accurate at time of preparation and may be subjected to final design.

All dimensions in mm unless otherwise specified.

1	27-12-2010	As Shown	IC	
REV	DATE	DESCRIPTION	EDIT BY	REMARKS
CUSTOMER:				
DRAWING NAME:		Rotator 3MT Idler		SCALE: N.T.S.
DRAWING NO.:		LIP3		REVISION: 1
THE ORIGINAL AND ALL COPIES OF THIS DOCUMENT TOGETHER WITH THE COPYRIGHT THEREOF ARE THE SOLE PROPERTY OF HARBACH MARKETING, INC. DESIGN AND SPECIFICATIONS ARE SUBJECT TO CHANGE WITHOUT PRIOR NOTICE.				
				SHEET: 1 OF 1

CUSTOMER APPROVAL

CHECKED BY:

DRAWN BY: IC



25-11-2010